



EasyLoad fitting guide. (Not for EasyLoad Compact)

Is it possible to fit a EasyLoad in a van, follow the next steps:

Look at the drawing.

Check size X,Y and Z.

If **Z** is: smaller then 1900mm it is not possible to fit an EasyLoad

If **Z** is: smaller then 2300mm you can only fit a 1900 250kg. 500kg is not possible

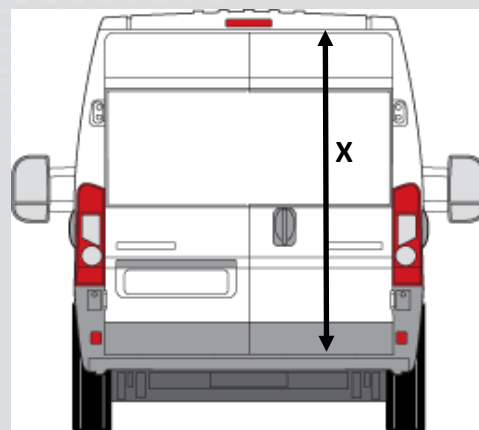
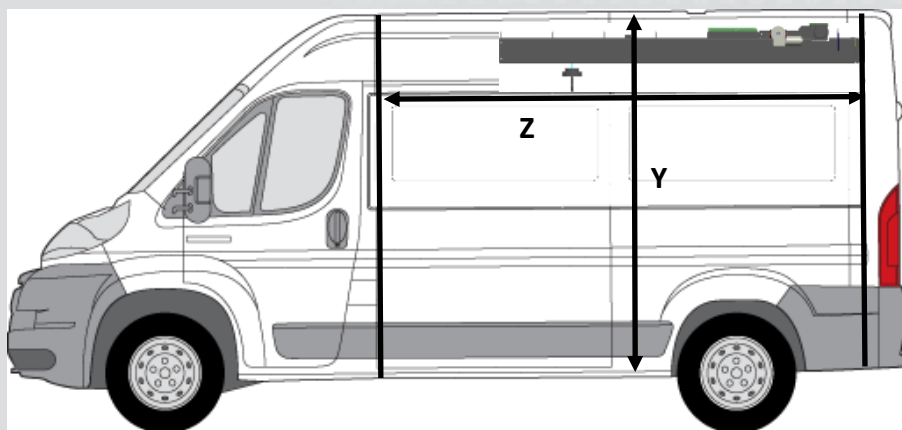
If **Z** is: bigger then 2300mm you can fit both 250 and 500 kg EasyLoad.

If **Z** is: bigger then 2500mm you can fit the 500kg with 20m cable

When **Y** is longer than 2000mm you need an other frame. These are mostly H3 vans.

Size **X**, Renault Master, Mercedes Sprinter and Volkswagen Crafter H3 can give problems because the rear doors are not as high as the roof.

Fiat Ducato, Citroën Jumper, Peugeot Boxer and Iveco Daily H3 the doors are as high as the roof so they need a special frame.



MAD Holding BV

Wiltonstraat 53

3905 KW Veenendaal

Tel. (+31) 318 58 61 00

Fax (+31) 318 54 12 13

The Netherlands

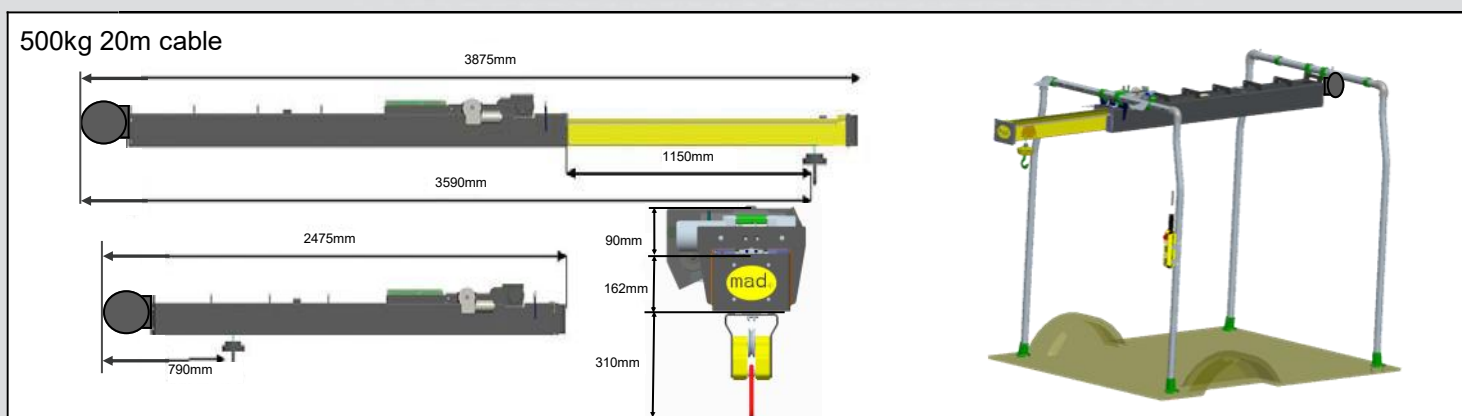
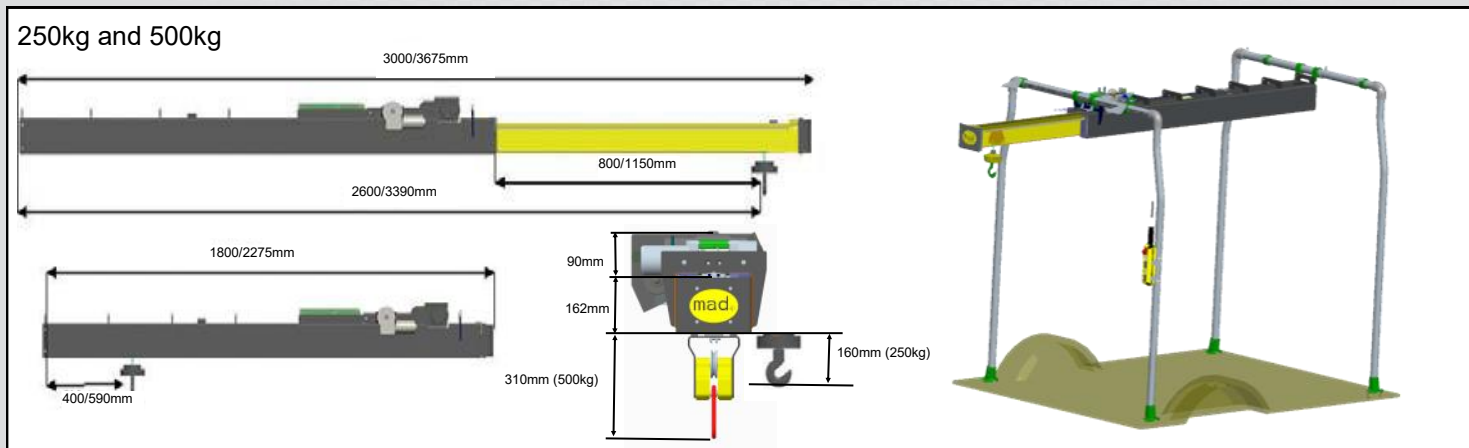
E-mail: info@mad-tooling.com

Web: www.mad-tooling.com



Technical data:

	Short version	Long version	Long Version
Maximum lifting capacity:	250 kg	250 kg	500kg
Length when retracted:	1900mm	2275mm	2275mm
Maximum load height under beam:	3000mm	3000mm	2450mm
Dead weight:	100 kg (excluding Installation frame)		
Winch specification:	12V 100A		
Winch operation:	electric via pushbutton on hand-held unit		
Slide system:	electric via pushbutton on hand-held unit		
Lifting speed:	100mm per second		50mm per second
Cable thickness:	ø 5 mm		
Average installation time:	5 hours		
Safety:	CE, NEN-EN-14492-2		



MAD Holding BV

Wiltonstraat 53
3905 KW Veenendaal

Tel. (+31) 318 58 61 00
Fax (+31) 318 54 12 13
The Netherlands

E-mail: info@mad-tooling.com
Web: www.mad-tooling.com